

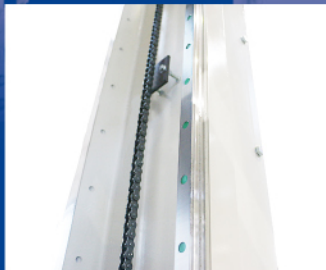
Top market share vertical panel saw in Japan. ※ Our research

CORTA SPN1

Vertical panel saw

SPN1-1200 / SPN1-1800 / SPN1-2400 / SPN1-3000

- Straight cutting machine for wooden or plastic panels
- Saves floor space



Linear motion guide



Automatic scoring activation



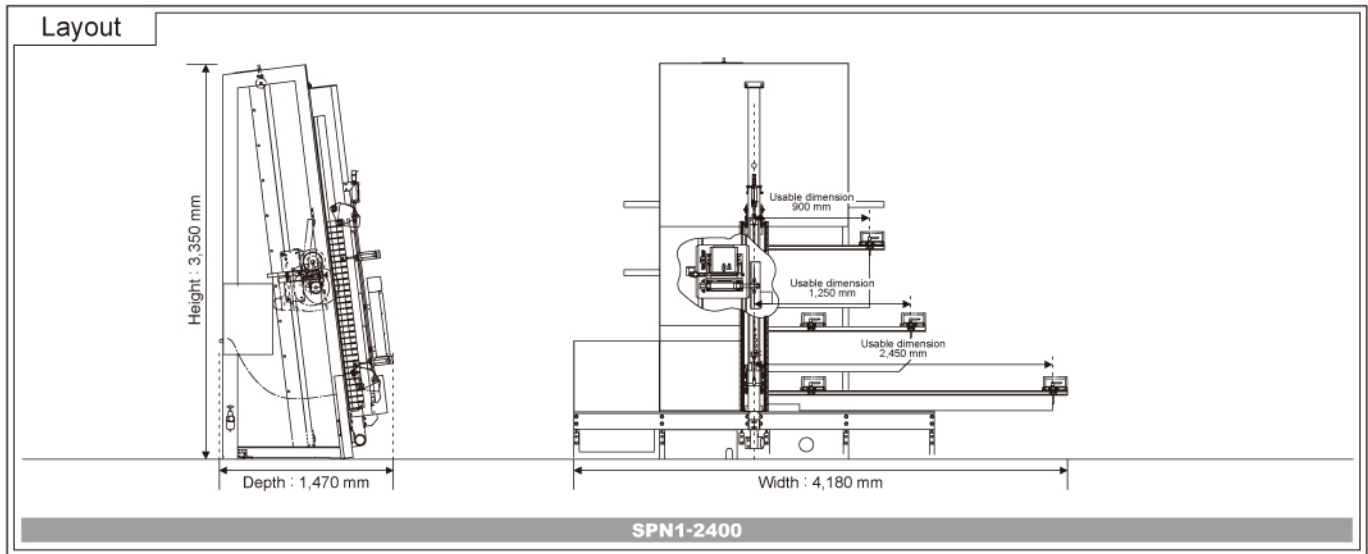
Panel hold bar safety shutter

- Improved durability and rigidity due to LM guide for the lifting carriage.
- Added automatic scoring activation as standard equipment
- Newly additional safety devices as standard equipment.

(Circuit breaker, Blade cover close detection, Safety shutter, Two-hand push machining start button)

Jump to
product page





SPN1 Specifications

Machine Name		Vertical panel saw			
Machine Model		SPN1-1200	SPN1-1800	SPN1-2400	SPN1-3000
Ruler	Horizontal ruler	Flat horizontal ruler			
	Width setting ruler	Movable ruler			
Rail structure for motor carriage		LM guide and flat-slide rail			
Cutting modes		3 cutting modes selection switch (top-to-bottom, scoring, reciprocating)			
Cutting capacity (mm)	Cutting length (Dial adjustment)	Max. 1,230 mm	Max. 1,830 mm	Max. 2,430 mm	Max. 3,030 mm
	Cutting width (Min.: 10 mm)	Max. 1,250 mm	Max. 2,150 mm	Max. 2,450 mm	Max. 3,050 mm
	Cutting thickness	Max. 45 mm			
Circular saw		12-inch circular saw (φ 305mm), hole diameter: φ 25.4			
Electrospindle rotation speed		3,500 min ⁻¹ (50Hz) / 4,200 min ⁻¹ (60Hz)			
Carriage speed		[Down] : 3 ~ 15 m/min. (inverter controlled variable speed) / [UP] : 18 m/min (fixed) Scoring cut: 15 m/min (fixed), Reciprocating cut: 3 ~ 15 m/min. (variable speed)			
Motor power		Main blade : 3.7 kW · 4P, Carriage motor : 0.75 kW · 4P [IE3]			
Table		Bakelite plate (Color: Brown)			
Cover of cutting edge		Bakelite adjustable cover			
Material fixing method		Parallel clamping (with a transparent safety shutter)			
Qty. of handle stopper		4 pcs in 2 stages / 2 pcs on top, 2 pcs on middle	4 pcs in 2 stages / 5 pcs in 3 stages / 2 pcs on top, 2 pcs on middle, 1 pc on bottom		
Handle stopper		Manual adjustment			
Machine dimensions (Width, Depth, Height)		3,050 mm × 1,330 mm × 2,150 mm	3,880 mm × 1,400 mm × 2,750 mm	4,180 mm × 1,470 mm × 3,350 mm	4,780 mm × 1,550 mm × 3,950 mm
Machine weight		900 kg	1,000 kg	1,130 kg	1,250 kg
Machine color		U25 - 85A (cream color)			
Control panel		EMG button · Main power switch · Alarm indication lamp · Cutting length dial · Carriage speed dial Saw carriage up button · Cutting start button · Cutting mode switch Button for material fixing device · Two-hand push machining start button			
Safety		Fall prevention limit switch · Circuit breaker · Blade cover close detection · Safety shutter			
Other		Automatic scoring activation · Off-limits chain fence · Off-limits area tape			
Options		Centering ruler · Blade rotation inverter control (1,000 ~ 4,200 min) · Right angle ruler (L = 900 mm) Automatic lubricator for saw blade carriage. (Pump) (Oil mist) Automatic cutting oil spray · Weight balancer for carriage · Ruler extension 1,250 mm · Roller conveyer ruler			

注1) Specifications are subject to change without notice

注2) To use the machine safely, operate it correctly and perform periodic maintenance. the manual.

注3) Before performing cutting and maintenance work, please read carefully and understand the safety precautions in



125, Yoshinaga, Yaizu-City, Shizuoka Prefecture, 421-0211, Japan

Phone : + 81 - 54 - 662 - 1711

Fax : + 81 - 54 - 662 - 1766

Email : sales-planning@shinx.co.jp

URL : http://www.shinx.co.jp

